

RATED VOLTAGE  
~400V

D01UQ6A



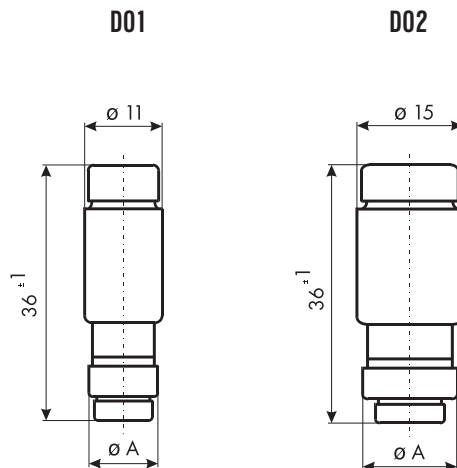
D02UQ50A



Technical data:			Application:
Standards: IEC 60269-4-1 VDE 0636	Breaking capacity: ~50kA / --- 8kA Rated voltage: ~400V / --- 250V	Characteristic: gR	Fuse-links of system D0 are applied in fuse base E14 and E18 and fuse-switch disconnectors VLD01 and STV D02.

Size	In (A)	Type	Code No.	Operating I <sup>2</sup> t-value (A <sup>2</sup> s)	Power dissipation (W)	Char.	Colour	Dimension A	Packaging (pcs)	Weight (g)
D01	2	D01UQ2A	004311001	6,3	2,3	gR	pink	7.3	10/500	6
	4	D01UQ4A	004311002	13	3,1	gR	brown	7.3	10/500	6
	6	D01UQ6A	004311003	20	4,0	gR	green	7.3	10/500	6
	10	D01UQ10A	004311004	65	4,2	gR	red	8.5	10/500	6
	16	D01UQ16A	004311005	200	5,3	gR	grey	9.7	10/500	6
D02	20	D02UQ20A	004312001	275	8,0	gR	blue	10.9	10/500	11
	25	D02UQ25A	004312002	480	9,0	gR	brown	12.1	10/500	12
	35	D02UQ35A	004312003	1.000	10,0	gR	black	13.3	10/500	13
	50	D02UQ50A	004312004	1.800	15,0	gR	white	14.5	10/500	13
	63	D02UQ63A	004312005	2.500	17,0	gR	copper	15.9	10/500	15

Dimensions:



remember

The standard IEC 60947-4-2 defines two types of co-ordination according to the expected level of service continuity. The standard IEC 60947-1, general rule are applicable to this standard, where specifically called for.

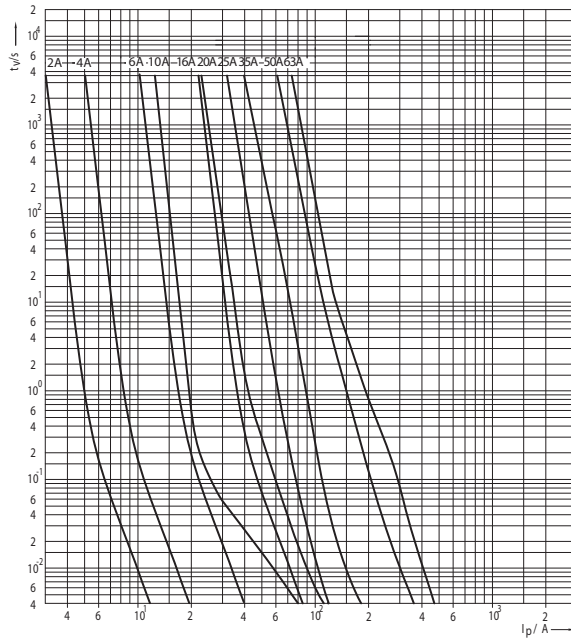
**Type 1:** Coordination requires that, under short-circuit conditions, the device shall cause no danger to persons or installation and may not be suitable for further service without repair and replacement of parts.

**Type 2:** Coordination requires that, under short-circuit conditions, the device shall cause no danger to persons or installation and shall be suitable for further use. For hybrid controllers and starters, the risk of contact welding is recognized in which case the manufacturer shall indicate the measures to be taken as regards the maintenance of the equipment.

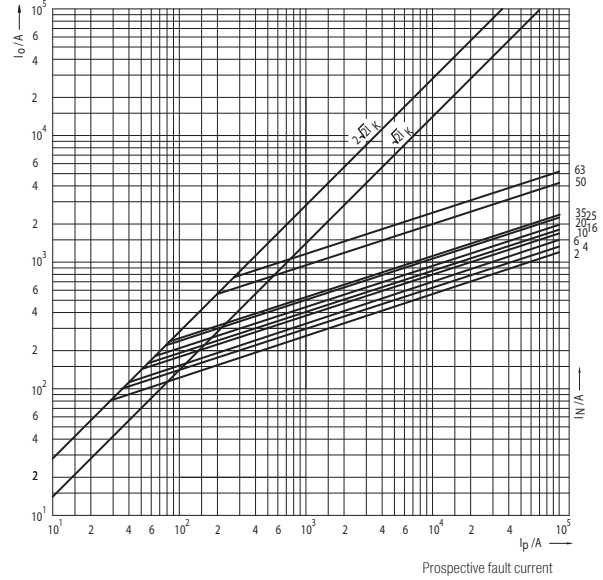
**Note:** When using a softstarter in a type 2 co-ordination, replacing the fuses and restart has to be accepted after a short-circuit. Only »fuses for semiconductor protection« can be used to achieve a type 2 coordination for soft-starters.

RATED VOLTAGE  
~ 400V

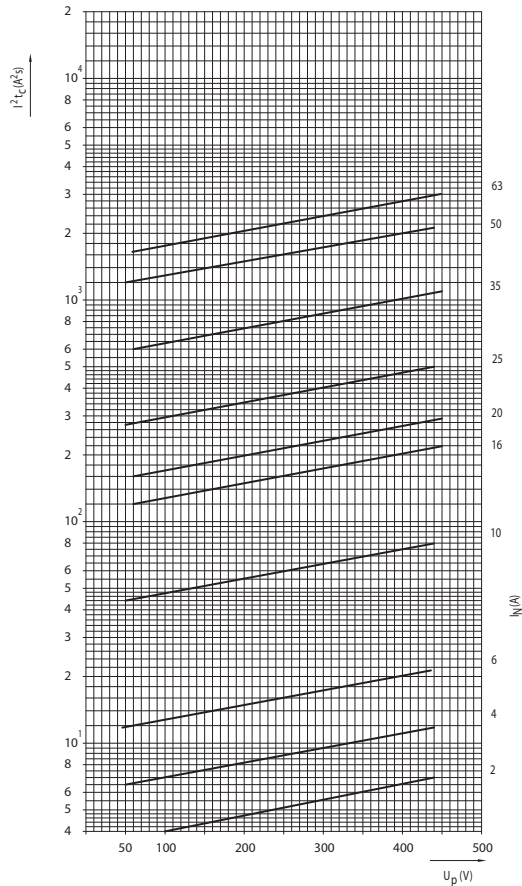
Time/current characteristics of fuse-links Ultra Quick D01 and D02



Cut-off characteristics of fuse-links Ultra Quick D01 and D02



Operating Joule Integral ( $I^2t$ ) for Ultra Quick D01 and D02



Power dissipation, pre-arcing Joule Integral and Operating Joule Integral for Ultra Quick D01 and D02

$I_n$	Power dissipation	Pre-arcing Joule integral $I^2t$ (1ms)	Operating Joule Integral $I^2t \sim 100V$	Operating Joule Integral $I^2t \sim 200V$	Operating Joule Integral $I^2t \sim 400V$
A	W	$A^2s$	$A^2s$	$A^2s$	$A^2s$
2	2,3	1	2,3	4	6,3
4	3,1	2	4,7	8	13
6	4,0	5	7	12	20
10	4,2	12	25	40	65
16	5,3	35	70	100	200
20	8,0	55	120	180	275
25	9,0	85	160	280	480
35	10,0	180	250	450	1.000
50	15,0	250	550	850	1.800
63	17,0	550	800	1.200	2.500